

ENCLOSURES

NEMA 4X FIBERGLASS ENCLOSURES FIBERGLASS SERIES



DESCRIPTION

The Hoffman Fiberglass Series NEMA 4X Enclosures are constructed from compression-molded, fiberglass-reinforced polyester. These enclosures offer excellent impact resistance, thermal insulation, and corrosion resistance. Smooth-surfaced, lightweight, nonconductive, and flame-retardant, they can be easily drilled. The gray color is molded in. This type uses a stainless steel hinge and are UL listed, File #E64358.

NEW!

Hoffman®



Fiberglass Series



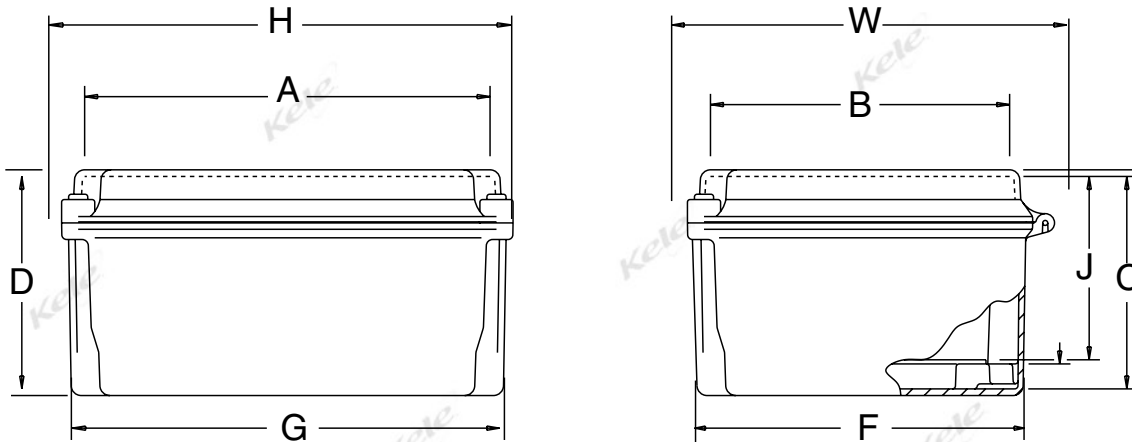
5

ENCLOSURES

FEATURES

- Excellent impact resistance
- Thermal insulation
- Corrosion resistance
- Smooth-surfaced
- Lightweight
- One year warranty

DIMENSIONS



ORDERING INFORMATION

Fiberglass Series							
MODEL	ENCLOSURE DIMENSIONS in (cm)			COVER DIMENSIONS NO. OF SCREWS	ALUMINUM PANEL (OPTIONAL)		
	INSIDE A x B x C	MOUNTING G x F	OVERALL H x W x D		MODEL	DIMENSIONS in (cm)	
						H x W	J
A664CHSCFG	6 x 6 x 4 (15.2 x 15.2 x 10.2)	6.94 x 4 (17.6 x 10.2)	6.5 x 6.5 x 4.3 (16.5 x 16.5 x 10.8)	2	A6P6AL	4.88 x 4.88 (12 x 12)	3.5 (8.8)
A664CHQRFG	6 x 6 x 4 (15.2 x 15.2 x 10.2)	6.94 x 4 (17.6 x 10.2)	6.5 x 6.5 x 4.3 (16.5 x 16.5 x 10.8)	QUICK RELEASE	A6P6AL	4.88 x 4.88 (12 x 12)	3.5 (8.8)
A864CHSCFG	8 x 6 x 4 (20.3 x 15.2 x 10.2)	8.94 x 4 (22.7 x 10.2)	8.5 x 6.5 x 4.3 (21.6 x 16.5 x 10.8)	2	A8P6AL	6.75 x 4.88 (17 x 12)	3.5 (8.8)
A864CHQRFG	8 x 6 x 4 (20.3 x 15.2 x 10.2)	8.94 x 4 (22.7 x 10.2)	8.5 x 6.5 x 4.3 (21.6 x 16.5 x 10.8)	QUICK RELEASE	A8P6AL	6.75 x 4.88 (17 x 12)	3.5 (8.8)
A1086CHSCFG	10 x 8 x 6 (25.4 x 20.3 x 15.2)	10.94 x 6 (27.8 x 15.2)	10.5 x 8.5 x 6.3 (26.7 x 21.6 x 15.8)	2	A10P8AL	8.75 x 6.88 (23 x 17)	5.5 (13.8)
A1086CHQRFG	10 x 8 x 6 (25.4 x 20.3 x 15.2)	10.94 x 6 (27.8 x 15.2)	10.5 x 8.5 x 6.3 (26.7 x 21.6 x 15.8)	QUICK RELEASE	A10P81AL	8.75 x 6.88 (23 x 17)	5.5 (13.8)
A12106CHSCFG	12 x 10 x 6 (30.5 x 25.4 x 15.2)	12.94 x 8 (32.9 x 20.3)	12.5 x 10.5 x 6.3 (31.8 x 26.7 x 15.9)	2	A12P10AL	10.75 x 8.88 (28 x 23)	5.5 (13.8)
A12106CHQRFG	12 x 10 x 6 (30.5 x 25.4 x 15.2)	12.94 x 8 (32.9 x 20.3)	12.5 x 10.5 x 6.3 (31.8 x 26.7 x 15.9)	QUICK RELEASE	A12P10AL	10.75 x 8.88 (28 x 23)	5.5 (13.8)
A14128CHSCFG	14 x 12 x 8 (35.6 x 30.4 x 20.3)	14.94 x 10 (37.9 x 25.4)	14.6 x 12.6 x 8.5 (37 x 31.9 x 21)	2	A14P12AL	12.75 x 10.88 (33 x 28)	7.5 (18.9)
A14128CHQRFG	14 x 12 x 8 (35.6 x 30.5 x 20.3)	14.94 x 10 (37.9 x 25.4)	14.6 x 12.6 x 8.5 (37 x 31.9 x 21)	QUICK RELEASE	A14P12AL	12.75 x 10.88 (33 x 28)	7.5 (18.9)
A16148CHSCFG	16 x 14 x 8 (40.6 x 35.6 x 20.3)	16.94 x 12 (43 x 30.5)	16.6 x 14.6 x 8.4 (42 x 37 x 20.1)	2	A16P14AL	14.75 x 12.88 (38 x 33)	7.5 (18.9)
A16148CHQRFG	16 x 14 x 8 (40.6 x 35.6 x 20.3)	16.94 x 12 (43 x 30.5)	16.6 x 14.6 x 8.4 (42 x 37 x 20.1)	QUICK RELEASE	A16P14AL	14.75 x 12.88 (38 x 33)	7.5 (18.9)
A181610CHSCFG	18 x 16 x 10 (45.7 x 40.6 x 25.4)	18.94 x 14 (48.1 x 35.6)	18.6 x 16.6 x 10.3 (47.2 x 42.1 x 26.5)	2	A18P16AL	16.75 x 14.88 (43 x 38)	9.5 (24)
A181610CHQRFG	18 x 16 x 10 (45.7 x 40.6 x 25.4)	18.94 x 14 (48.1 x 35.6)	18.6 x 16.6 x 10.3 (47.2 x 42.1 x 26.5)	QUICK RELEASE	A18P16AL	16.75 x 14.88 (43 x 38)	9.5 (24)

NEW!